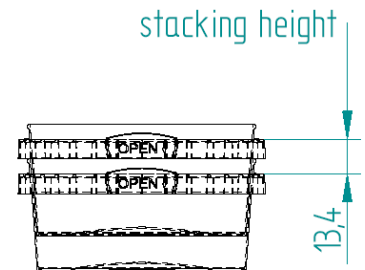
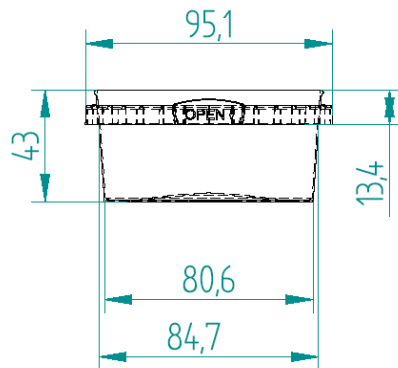
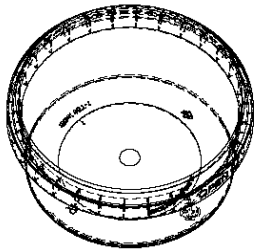


## SPEC SHEET 180T - 180ML TUB

### PRODUCT DIMENSIONS



TAMPER EVIDENCE	Tamper evidence break-out tab
WEIGHT	9.8 g
CAPACITY	180 ml
SHAPE	Round Conical
LID OPTIONS	L95 Snap On
DECORATION	In-Mould-Labeling (IML) options are available in various film substrates
MATERIAL	<p>Polypropylene</p> <p>This product meets the purity limits as stated in AS2070-1999, which relates to plastic materials suitable for food contact applications.</p>
COLOURS	Natural, Clear, White, Black, Customer specific colours on request
APPLICATION	<ul style="list-style-type: none"> <li>• Room Temperature / Fridge: standard material</li> <li>• Freezer: special material required</li> <li>• Hot Filling: special material required</li> </ul> <p><b>In all cases, customer should conduct its own trials to ensure the suitability of this packaging for its chosen application</b></p>
FEATURES	Re-heating (may be microwaved), leak resistant, tamper evident
PACKAGING	<p>QTY per carton: 660</p> <p>Carton size: 620 x 510 x 340 mm</p> <p>Carton liner: HDPE blue plastic liner bag</p> <p>Full carton weight: 7 kg</p> <p>Pallet size: 1165 x 1165 x 2180 mm (max 24 boxes per pallet)</p>

