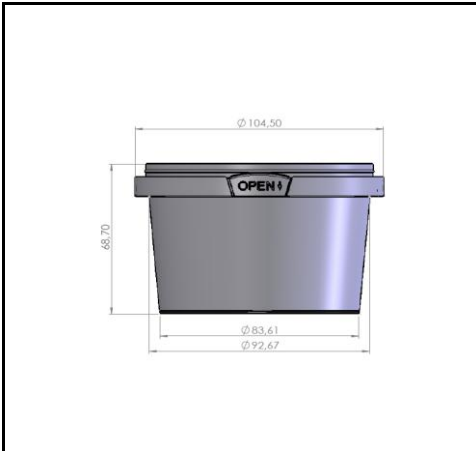


All specifications subject to revision without notice

CAPACITY: 365 ml
With Snap on lid Ø 105 1038
Weight: 16,0 g
MATERIAL:
Pots and lids are produced in random and copolymer polypropylene in grades approved for food packaging by BGA and FDA which satisfy the demands of the EU directive 90/128 plus amendment of 1995-02-14 (Global migration)
DECORATION:
With In-mould-labeling Contact Toppac for drawings.
CONTAINER/PACKAGING
Pallet size: L-1220*B-810*H-145 Container size: L-1220*B-810*H-1070 Containers: 1 container with 5440 units per pallet.2 containers on one pallet place. Box size: L-790*B-400*H-450 Boxes: 15 boxes with 700 units per box.



TEMPERATURE:
Hot: The material chosen has a very good heat resistance and the packaging is suitable for hot filling. (Product temperature of 85° to 90°)
Cold: Random resists temperature to 5°C Block resists temperatures down to -20°C. Deep freezing below -20° will require a special resin which is available on request.
COLOURS:
Pots are available in clear and Toppac standard colours.
HANDLE:
No handle.
QUALITY CONTROL:
Pots and lids are subject to a strict daily quality control.
Toppac is certified by Global Standard for packaging and packaging material, Issue 5, High Hygiene Risk with the grade AA

