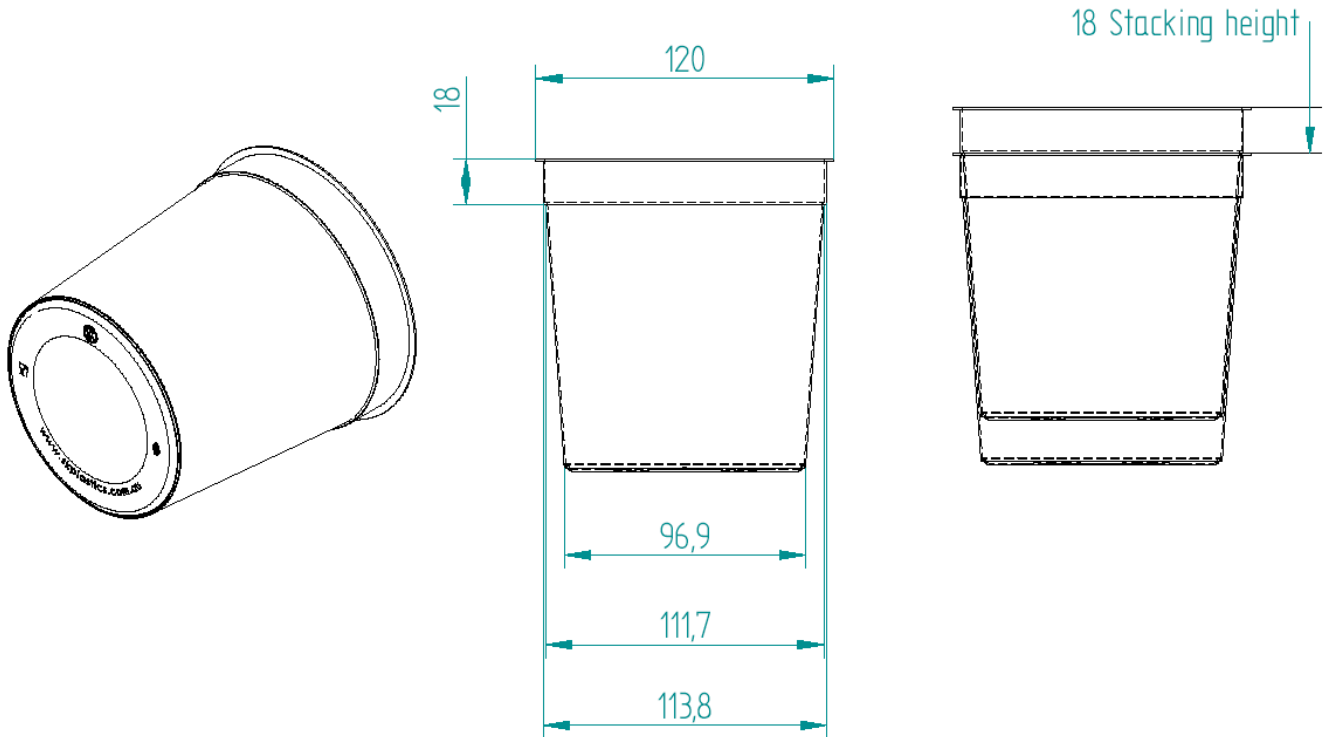


SPEC SHEET 1065F - 1065ML TUB

PRODUCT DIMENSIONS



TAMPER EVIDENCE	Membrane seal / foil
WEIGHT	30.5 g
CAPACITY	1065 ml
SHAPE	Round Conical
LID OPTIONS	L120 Overlid
DECORATION	In-Mould-Labeling (IML) options are available in various film substrates
MATERIAL	Polypropylene This product meets the purity limits as stated in AS2070-1999, which relates to plastic materials suitable for food contact applications.
COLOURS	Natural, Clear, White, Black, Customer specific colours on request
APPLICATION	<ul style="list-style-type: none"> • Room Temperature / Fridge: standard material • Freezer: special material required • Hot Filling: special material required <p>In all cases, customer should conduct its own trials to ensure the suitability of this packaging for its chosen application</p>
FEATURES	Re-heating (may be microwaved)





SPEC SHEET 1065F - 1065ML TUB

PACKAGING

QTY per carton: 320

Carton size: 620 x 510 x 394 mm

Carton liner: HDPE blue plastic liner bag

Full carton weight: 11 kg

Pallet size: 1165 x 1165 x 2120 mm (max 20 boxes per pallet)