

SPEC SHEET 260F - 260ML TUB

Application

Room Temperature / Fridge
Freezer (natural)
Freezer (clear)

Product Code

260F97-R
260F97-B
260F97-RF

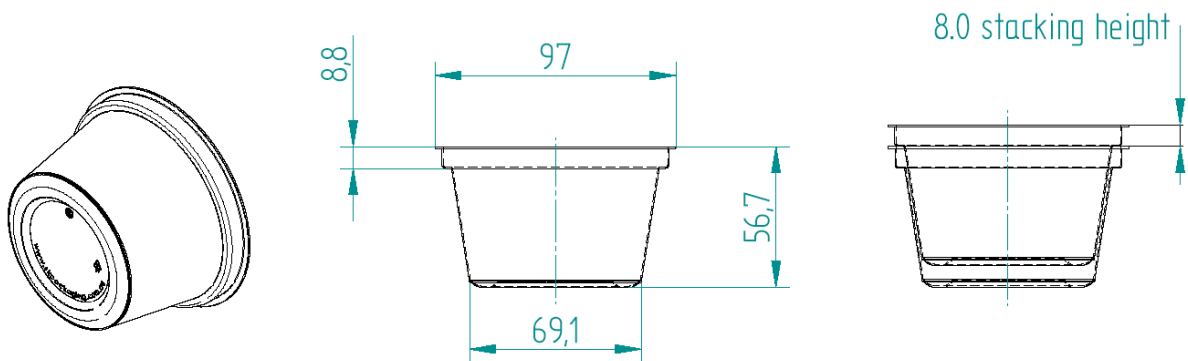
General

Tamper evident: no
Weight: 9.2 g
Capacity: 260 ml

Lid Options

70L97F-R, 70L97F-B, 70L97-RF

Product Dimensions



Material

Polypropylene

This product meets the purity limits as stated in AS2070-1999, which relates to plastic materials suitable for food contact applications.

Customer specific colours are available on request.



Decoration

In-Mould-Labeling options are available.

Packaging

QTY per carton: 960
Carton size: 620 x 510 x 340 mm
Carton liner: HDPE plastic liner bag
Full carton weight: 10 kg
Pallet size: 1165 x 1165