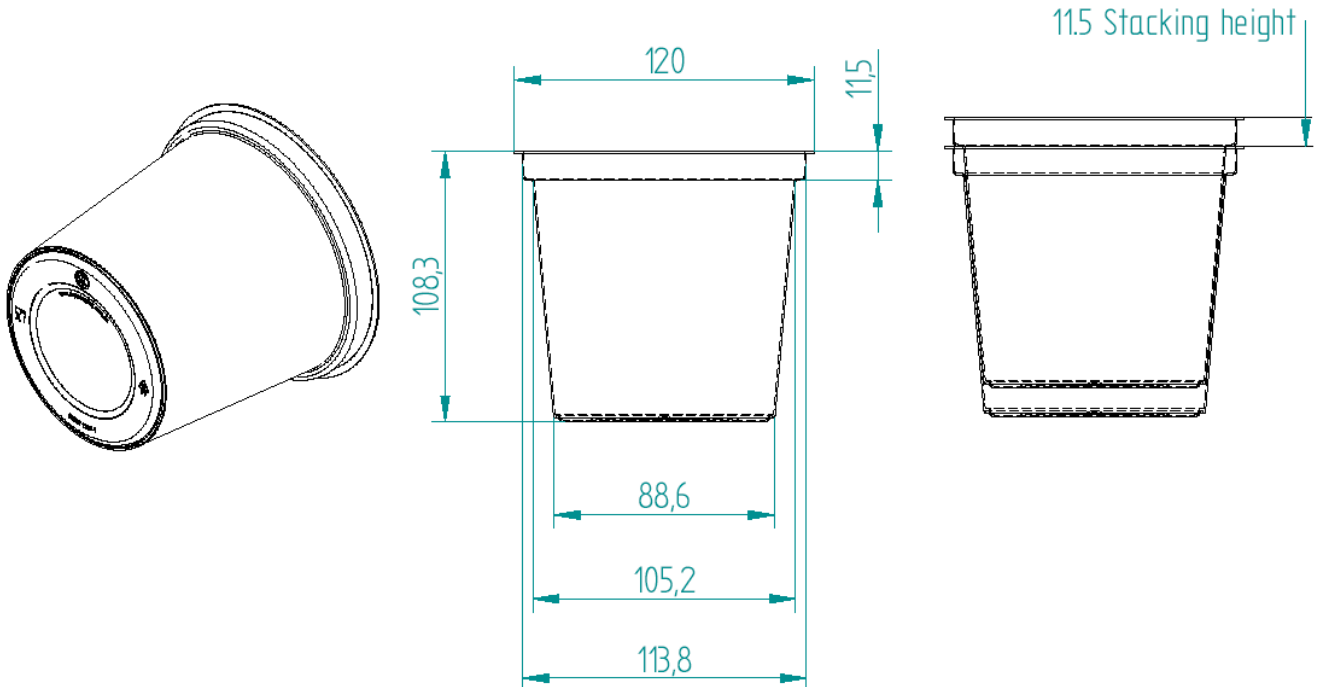


SPEC SHEET 800F - 800ML TUB

PRODUCT DIMENSIONS



TAMPER EVIDENCE

Membrane seal / foil

WEIGHT

25.0 g

CAPACITY

800 ml

SHAPE

Round Conical

LID OPTIONS

L120 Overlid

DECORATION

In-Mould-Labeling (IML) options are available in various film substrates

MATERIAL

Polypropylene

This product meets the purity limits as stated in AS2070-1999, which relates to plastic materials suitable for food contact applications.



COLOURS

Natural, Clear, White, Black, Customer specific colours on request

APPLICATION

- Room Temperature / Fridge: standard material
- Freezer: special material required
- Hot Filling: special material required

In all cases, customer should conduct its own trials to ensure the suitability of this packaging for its chosen application

FEATURES

Re-heating (may be microwaved)



SPEC SHEET 800F - 800ML TUB

PACKAGING

QTY per carton: 420

Carton size: 620 x 510 x 340 mm

Carton liner: HDPE blue plastic liner bag

Full carton weight: 11 kg

Pallet size: 1165 x 1165 x 2180 mm (max 24 boxes per pallet)