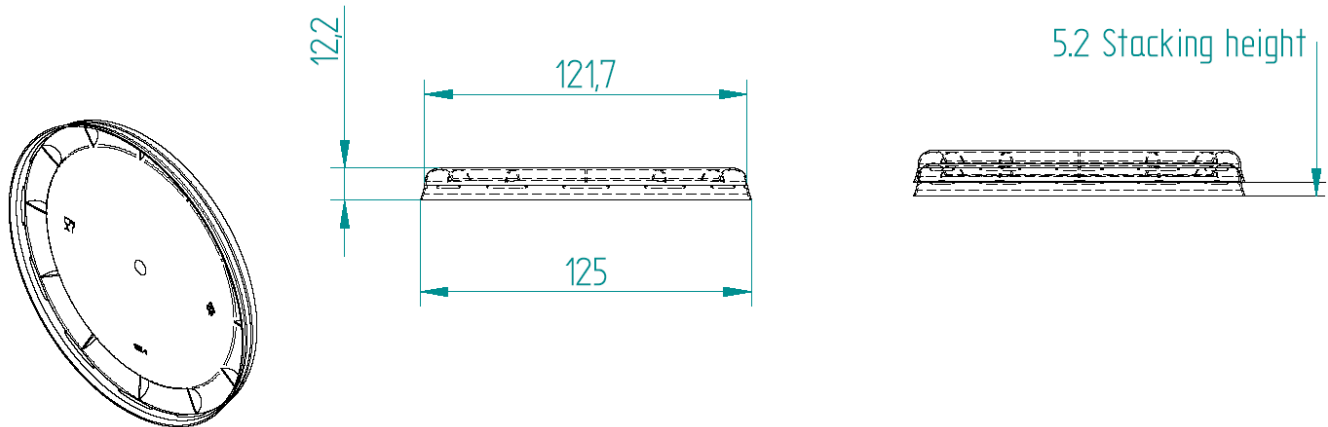


## SPEC SHEET L120 – L120 OVERLID

### PRODUCT DIMENSIONS



CLOSURE TYPE	Overlid
WEIGHT	9.5 g
SHAPE	Round
TUB OPTIONS	800F, 1065F
DECORATION	In-Mould-Labeling (IML) options are available in various film substrates
MATERIAL	<p>Polypropylene</p> <p>This product meets the purity limits as stated in AS2070-1999, which relates to plastic materials suitable for food contact applications.</p>
COLOURS	Natural, Clear, White, Black, Customer specific colours on request
APPLICATION	<ul style="list-style-type: none"> <li>• Room Temperature / Fridge: standard material</li> <li>• Freezer: special material required</li> <li>• Hot Filling: special material required</li> </ul> <p><b>In all cases, customer should conduct its own trials to ensure the suitability of this packaging for its chosen application</b></p>
FEATURES	Re-heating (may be microwaved)
PACKAGING	<p>QTY per carton: 520</p> <p>Carton size: 510 X 310 x 340 mm</p> <p>Carton liner: HDPE blue plastic liner bag</p> <p>Full carton weight: 6 kg</p> <p>Pallet size: 1165 x 1165 x 2180 mm (max 48 boxes per pallet)</p>

