

## SPEC SHEET L97 – L97 LID

### Application

Room Temperature / Fridge  
Freezer (natural)  
Freezer (clear)

### Product Code

70L97F-R  
70L97F-B  
70L97F-RF

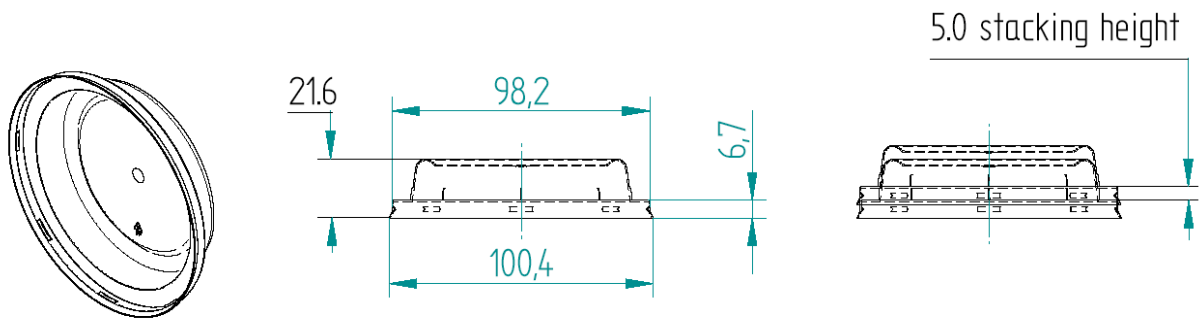
### General

Weight: 6.0 g

### Tub Options

260F97-R, 260F97-B, 260F97-RF

### Product Dimensions



### Material

Polypropylene

This product meets the purity limits as stated in AS2070-1999, which relates to plastic materials suitable for food contact applications. Customer specific colours are available on request.



### Decoration

In-Mould-Labeling options are available.

### Packaging

QTY per carton: 1,800  
Carton size: 620 x 510 x 340 mm  
Carton liner: HDPE plastic liner bag  
Full carton weight: 12 kg  
Pallet size: 1165 x 1165